

ENRICHES  
YOUR  
LIFESTYLES

[www.pergolaroom.com](http://www.pergolaroom.com)

 [pergolaroom](https://www.pergolaroom.com)

Pergola  
ROOM



ENRICHES  
YOUR  
LIFESTYLES

Pergola  
ROOM

# EXPLORE

Over the years, the Retractable Pergola Awning Roof System has been manufactured with different materials. And the systems are used as heavy structures or sometimes in the simplest form of living spaces. Pergola Systems, which we have achieved a new mechanical transformation by developing technology, has become a part in every field of our lives. As Pergola Room LLC, we continue to bring a new perspective to Retractable Roof Pergola systems with our 15 years of background experience, professional staff and advanced service policy based on customer satisfaction.

## AWNING PERGOLA SYSTEMS

TECTONA FLAT ▶ TECTONA ARC ▶ TECTONA ARC MAX

[pergolaroom.com](http://pergolaroom.com)

# TECTONA FLAT PERGOLA

WALL MOUNT

In botanical science, leaf species that grow in a flat surface are called subulate. With this in mind, we have gathered our pergola systems that can be opened and closed on a flat surface.

Teak (/tik/) (Tectona grandis) is a tropical hardwood species placed in the family Lamiaceae. Tectona grandis is a large, deciduous tree that occurs in mixed hardwood forests. It has small, fragrant white flowers and papery leaves that are often hairy on the lower surface. It is sometimes known as the "Burmese Teak". Therefore Tectona is our most premium retractable pergola system provides a stylish architectural covering as per the name was given via precious botanic plant. Thanks to its profile structure and improved mechanical features, this model can provide shade covering for 1.452 sqft with single press of a button. Without any extra posts, projection up to 32'-10" can be manufactured. In addition, this model works well with glass covering or similiar kind of side coverings.

### Additional Options

- Linear Led Light
- Dimmer Unit
- Wind & Rain Sensor
- Non-Standard RAL Colors
- Selective Wood Coating
- Insulated Aerofoil Louver & Profiles
- Sliding GLASS DOORS
- Motorized GUILLOTINE GLASS
- Zip Screen



### Retractable Awning Roof

Max Width: 44'-4"  
Max Projection: 32'-10"

1.452 sqft Maximum Coverage on a Single System



Pergola ROOM



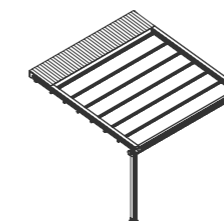
## Available Module Types

### TECTONA FLAT PERGOLA

WALL MOUNT

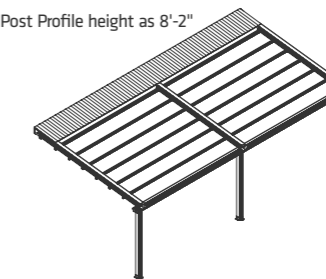
#### Single Module

Max. Width as 14'-9"  
Standard Carrier Post Profile height as 8'-2"



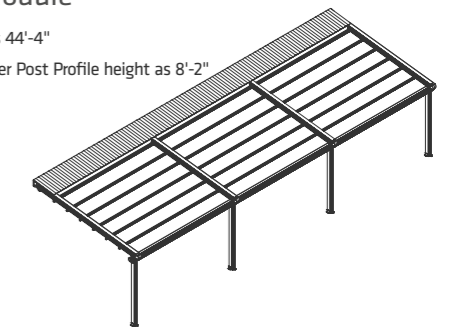
#### Double Module

Max. Width as 29'-6"  
Standard Carrier Post Profile height as 8'-2"



#### Triple Module

Max. Width as 44'-4"  
Standard Carrier Post Profile height as 8'-2"



# TECTONA FLAT MINIMA

WALL MOUNT

Tectona Flat Minima pergola system is inspired by oak wood with 600 species. Quercus family of oaks have strong structure and can create their own living spaces in any environment. Tectona Flat Minima can be installed up to 3 sections together to create a spacious outdoor space that can be used four seasons. This system can work in harmony with two different type of lighting systems options and several glass systems or zip screens, to add details and functionality to closed spaces.

### Additional Options

- Linear Led Light
- Dimmer Unit
- Wind & Rain Sensor
- Non-Standard RAL Colors
- Selective Wood Coating
- Insulated Aerofoil Louver & Profiles
- Sliding GLASS DOORS
- Motorized GUILLOTINE GLASS
- Zip Screen



### Retractable Awning Roof

Max Width: 44'-4"  
Max Projection: 23'

1.017 sqft Maximum Coverage on a Single System



Pergola ROOM



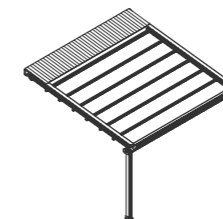
## Available Module Types

### TECTONA FLAT MINIMA PERGOLA

WALL MOUNT

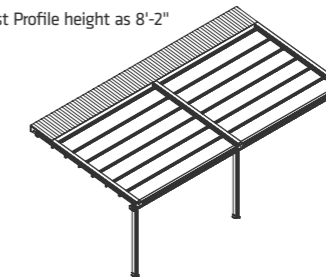
#### Single Module

Max. Width as 14'-9"  
Standard Carrier Post Profile height as 8'-2"



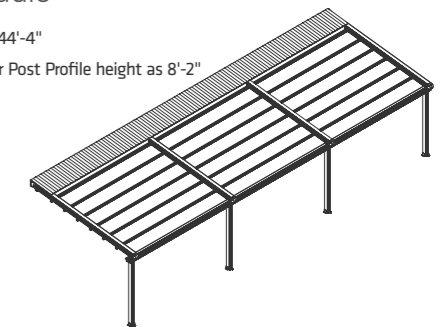
#### Double Module

Max. Width as 29'-6"  
Standard Carrier Post Profile height as 8'-2"



#### Triple Module

Max. Width as 44'-4"  
Standard Carrier Post Profile height as 8'-2"



# TECTONA ARC PERGOLA

WALL MOUNT

Tectona Arc pergola is another wall mounted, elegant, structural solution for requested area closures. It symbolizes trust. It is designed to create difference and add quality to pool openings, hotel terraces, patios, decks and many more. As Pergola Room., we have always cared about being different. We have been developing functional shading systems that allow you to create closed outdoor spaces. These systems can be in flat, semi-oval or full oval structures.

### Additional Options

- Linear Led Light
- Dimmer Unit
- Wind & Rain Sensor
- Non-Standard RAL Colors
- Selective Wood Coating
- Insulated Aerofoil Louver & Profiles
- Sliding GLASS DOORS
- Motorized GUILLOTINE GLASS
- Zip Screen



### Retractable Awning Roof

Max Width: 44'-4"  
Max Projection: 32'-10"

1.452 sqft Maximum Coverage on a Single System



Pergola ROOM



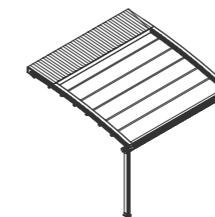
## Available Module Types

### TECTONA ARC PERGOLA

WALL MOUNT

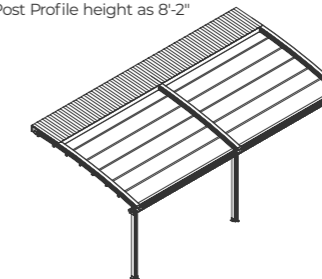
#### Single Module

Max. Width as 14'-9"  
Standard Carrier Post Profile height as 8'-2"



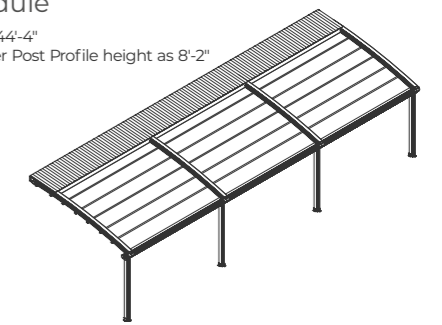
#### Double Module

Max. Width as 29'-6"  
Standard Carrier Post Profile height as 8'-2"



#### Triple Module

Max. Width as 44'-4"  
Standard Carrier Post Profile height as 8'-2"



# TECTONA ARC MINIMA

WALL MOUNT

Tectona Arc Minima is also inspired by oak wood with 600 species. Quercus family of oaks have strong structure and can create their own living space in any environment. Tectona Arc Minima pergola system can be installed up to 3 sections to allow you create a spacious and functional outdoor area that can be used 4 seasons. This system can be easily integrated with any of two different lighting system options and one of many side closing glass or zip screen systems.

### Additional Options

- Linear Led Light
- Dimmer Unit
- Wind & Rain Sensor
- Non-Standard RAL Colors
- Selective Wood Coating
- Insulated Aerofoil Louver & Profiles
- Sliding GLASS DOORS
- Motorized GUILLOTINE GLASS
- Zip Screen



### Retractable Awning Roof



Max Width: 44'-4"

Max Projection: 32'-10"

1.017 sqft Maximum Coverage on a Single System

Pergola ROOM



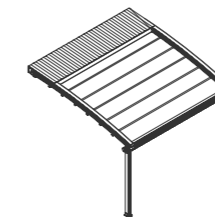
## Available Module Types

### TECTONA ARC MINIMA PERGOLA

WALL MOUNT

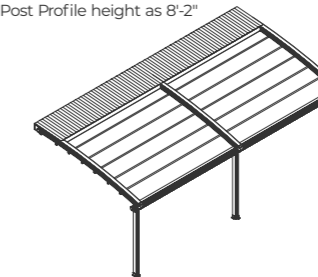
#### Single Module

Max. Width as 14'-9"  
Standard Carrier Post Profile height as 8'-2"



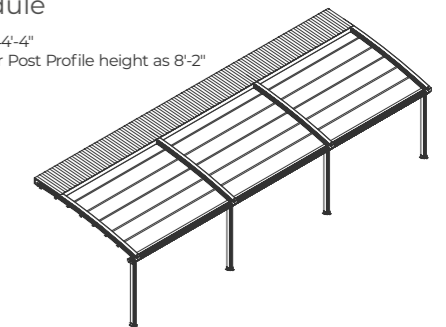
#### Double Module

Max. Width as 29'-6"  
Standard Carrier Post Profile height as 8'-2"



#### Triple Module

Max. Width as 44'-4"  
Standard Carrier Post Profile height as 8'-2"



# TECTONA ARC MAX

FREE STANDING

Tectona Arc Max pergola is a free standing strong structure that is ideal to close big outdoor areas. This system truly designed to create difference with its elegant shape. It can close areas almost as big as 1450 sqft with single section. Pergola Room LLC keeps innovating new systems to allow you choose the right one for closures of different areas. Working systems that allow you to close different areas.

### Additional Options

- Linear Led Light
- Dimmer Unit
- Wind & Rain Sensor
- Non-Standard RAL Colors
- Selective Wood Coating
- Insulated Aerofoil Louver & Profiles
- Sliding GLASS DOORS
- Motorized GUILLOTINE GLASS
- Zip Screen



### Retractable Awning Roof

Max Width: 44'-4"  
Max Projection: 23'

1.456 sqft Maximum Coverage on a Single System



Pergola ROOM



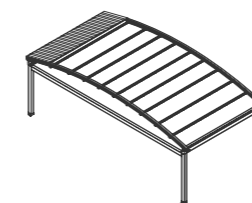
## Available Module Types

### TECTONA ARC MAX PERGOLA

FREE STANDING

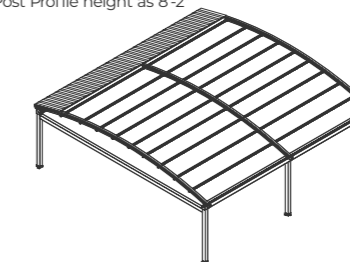
#### Single Module

Max. Width as 14'-9"  
Standard Carrier Post Profile height as 8'-2"



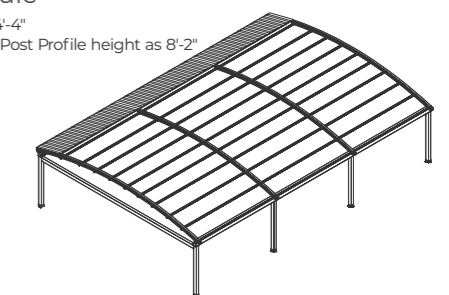
#### Double Module

Max. Width as 29'-6"  
Standard Carrier Post Profile height as 8'-2"



#### Triple Module

Max. Width as 44'-4"  
Standard Carrier Post Profile height as 8'-2"



# TECTONA ARC MAX MINIMA

FREE STANDING

Tectona Arc Max Minima is also inspired by oak wood of 600 species, a family of woods with strong structure and able to create their own living space in any environment. So is Tectona Arc Max Minima. A free standing elegant structure that can cover an area of more than 1000 sqft with only one section. It is designed to create a spacious outdoor area for quality and functional living.

### Additional Options

- Linear Led Light
- Dimmer Unit
- Wind & Rain Sensor
- Non-Standard RAL Colors
- Selective Wood Coating
- Insulated Aerofoil Louver & Profiles
- Sliding GLASS DOORS
- Motorized GUILLOTINE GLASS
- Zip Screen



### Retractable Awning Roof



Max Width: 44'-4"

Max Projection: 23'

1.017 sqft Maximum Coverage on a Single System

Pergola ROOM



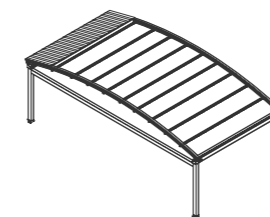
## Available Module Types

### TECTONA ARC MAX MINIMA PERGOLA

FREE STANDING

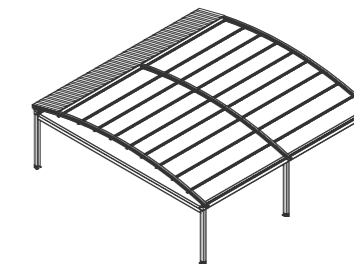
#### Single Module

Max. Width as 14'-9"  
Standard Carrier Post Profile height as 8'-2"



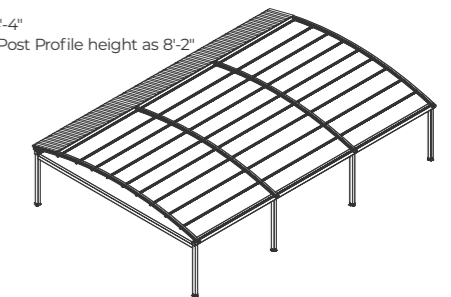
#### Double Module

Max. Width as 29'-6"  
Standard Carrier Post Profile height as 8'-2"



#### Triple Module

Max. Width as 44'-4"  
Standard Carrier Post Profile height as 8'-2"



# ARCHY-MADE

Necessity is the mother of all inventions and solutions. In time, small dreams turn into great inventions. We have been building shading systems since the first day we opened our doors for production. We have been working hard to find new solutions of pergola systems.

Here are our new ARCHY-MADE Series for your demands, which we prepared with the years of experience and long R&D studies. Our Archy Series; ARCHY-1 and ARCHY-6 models are available for large area closure projects. Other models are available for small and boutique projects. ARCHY-2 model is available in free designs.



IMAGINING IS HALF THE SUCCESS

## ARCHY-MADE SERIES

ARCHY-1 ▶ ARCHY-2 ▶ ARCHY-3 ▶ ARCHY-4 ▶ ARCHY-5 ▶ ARCHY-6

[pergolaroom.com](http://pergolaroom.com)

# ARCHY-1 TECTONA FLAT TWIN

FREE STANDING

ARCHY-1 is a steel structure of 2 products from different Pergola options. back to back with the support of iron construction, we have developed a flat structure model for the closure of large areas

Suitable Product Groups



Retractable Awning Roof

## TECTONA FLAT TWIN

Max Width: 44'-4"  
Max Projection: 65'-7"

2.912 sqft Maximum Coverage on a Single System



## TECTONA FLAT TWIN MINIMA

Max Width: 44'-4"  
Max Projection: 45'-11"

2.033 sqft Maximum Coverage on a Single System

Pergola ROOM



## Available Module Types

### ARCHY-1 TECTONA FLAT TWIN PERGOLA

FREE STANDING

#### Single Module

Max. Width as 14'-9"  
Max. Projection as 65'-7"  
Standard Carrier Post Profile height as 8'-2"

#### Double Module

Max. Width as 29'-6"  
Max. Projection as 65'-7"  
Standard Carrier Post Profile height as 8'-2"

#### Triple Module

Max. Width as 44'-4"  
Max. Projection as 65'-7"  
Standard Carrier Post Profile height as 8'-2"

### ARCHY-1 TECTONA FLAT TWIN MINIMA PERGOLA

FREE STANDING

#### Single Module

Max. Width as 14'-9"  
Max. Projection as 45'-11"  
Standard Carrier Post Profile height as 8'-2"

#### Double Module

Max. Width as 29'-6"  
Max. Projection as 45'-11"  
Standard Carrier Post Profile height as 8'-2"

#### Triple Module

Max. Width as 44'-4"  
Max. Projection as 45'-11"  
Standard Carrier Post Profile height as 8'-2"

# ARCHY-1 TECTONA ARC TWIN

FREE STANDING

ARCHY-1 is a steel structure of two products from different Pergola options. back to back with the support of iron construction, we have developed a half oval model.

### Additional Options

- Linear Led Light
- Dimmer Unit
- Wind & Rain Sensor
- Non-Standard RAL Colors
- Selective Wood Coating
- Insulated Aerofoil Louver & Profiles
- Sliding GLASS DOORS
- Motorized GUILLOTINE GLASS
- Zip Screen

### Retractable Awning Roof



### TECTONA ARC TWIN

Max Width: 44'-4"  
Max Projection: 65'-7"

2.912 sqft Maximum Coverage on a Single System

### TECTONA ARC TWIN MINIMA

Max Width: 44'-4"  
Max Projection: 45'-11"

2.033 sqft Maximum Coverage on a Single System



Pergola ROOM



## Available Module Types

### ARCHY-1 TECTONA ARC TWIN PERGOLA

FREE STANDING

#### Single Module

Max. Width as 14'-9"  
Max. Projection as 65'-7"  
Standard Carrier Post Profile height as 8'-2"

#### Double Module

Max. Width as 29'-6"  
Max. Projection as 65'-7"  
Standard Carrier Post Profile height as 8'-2"

#### Triple Module

Max. Width as 44'-4"  
Max. Projection as 65'-7"  
Standard Carrier Post Profile height as 8'-2"

### ARCHY-1 TECTONA ARC TWIN MINIMA PERGOLA

FREE STANDING

#### Single Module

Max. Width as 14'-9"  
Max. Projection as 45'-11"  
Standard Carrier Post Profile height as 8'-2"

#### Double Module

Max. Width as 29'-6"  
Max. Projection as 45'-11"  
Standard Carrier Post Profile height as 8'-2"

#### Triple Module

Max. Width as 44'-4"  
Max. Projection as 45'-11"  
Standard Carrier Post Profile height as 8'-2"