

ALL SEASONS  
COMFORT



Pergola  
ROOM

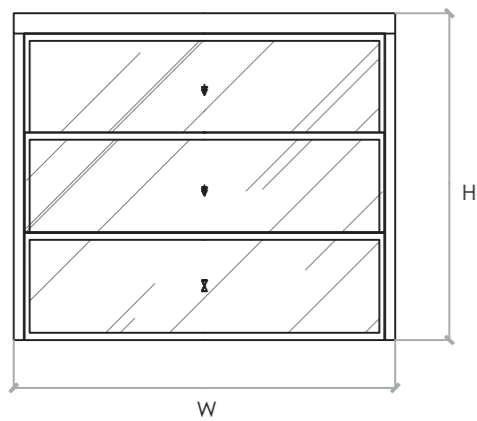
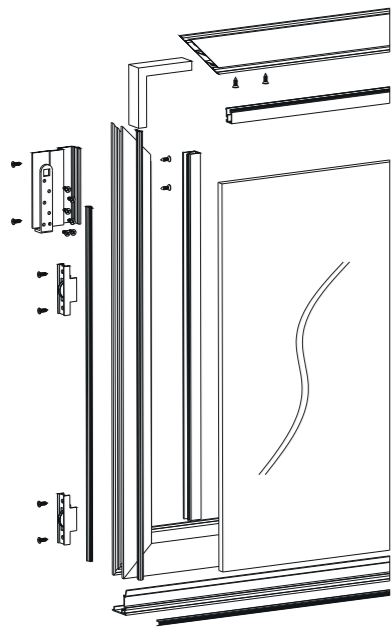
## GUILLOTINE WINDOW

Motorized glass panels up/down

*Open a window  
to any view of the world.*



# GUILLOTINE WINDOW



Single Glass (5/16" tempered) :  $H_{(max)} = 12\text{ ft}$   
 $W_{(max)} = 14\text{ ft}$   
 Double Glass (5/32"+air+5/32" tempered) :  $W_{(max)} = 12\text{ ft}$

Guillotine is a vertical retracting windows system which is suitable for the coverage of a building opening, especially when saving space is required.

The Guillotine window is a vertically sliding, remotely controllable motion system that promises to offer you unique views of the skyline. This series aims to maximize the size and openings of modern architectural structures.

The combination of thin aluminum profile frames with glass results in the system's surprising and unique elegance, providing maximum transparency and excellent performance.

It works with an extremely simple mechanical lever logic and the electric motor that provides minimum energy consumption can be controlled by remote control. The aluminum frames of the system provide sealing capability to the window.

Guillot window profiles offer fully customizable multi-panel combinations and endless color options in all RAL colors or anodised aluminum.



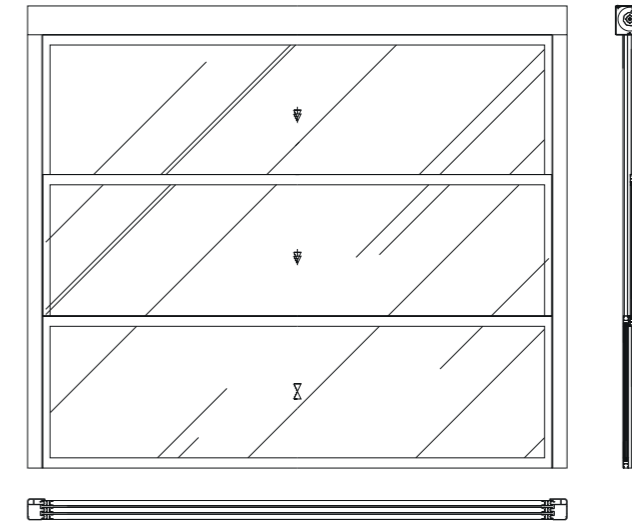
Tested resistance of extensive exposure to the sun. Certified protection from harmful ultraviolet radiation.



Capability of electrical motion and remote control.



Great resistance to weather conditions of rain, snow humidity and wind.



### Ease of use

Either wireless or wired operation, opening the device at the touch of a button.

### System Operation

Motorized operation via tubular motor. The panes are slid vertically either upwards or downwards, and parked behind a fixed pane.

### Safety

Hidden drainage and power channels

### Materials

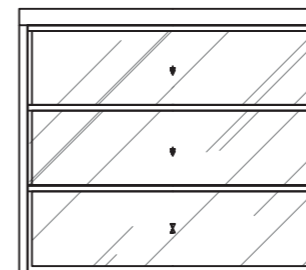
6063 t5 aluminum, stainless steel

### Motor specifications

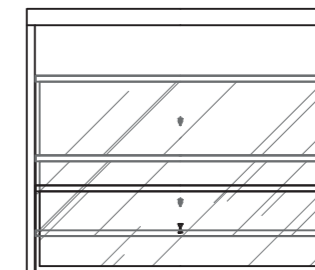
24vdc motor (low voltage) additional earthed connection more resistant to electric shocks.

### Surface

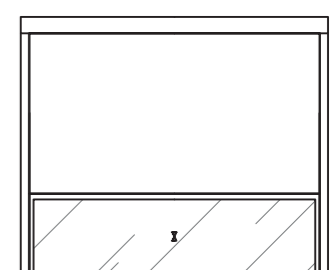
Qualicoat, Qualideco and Qualanod certified painted, wood-patterned and anodized products are guaranteed for 10 years.



Close Mode

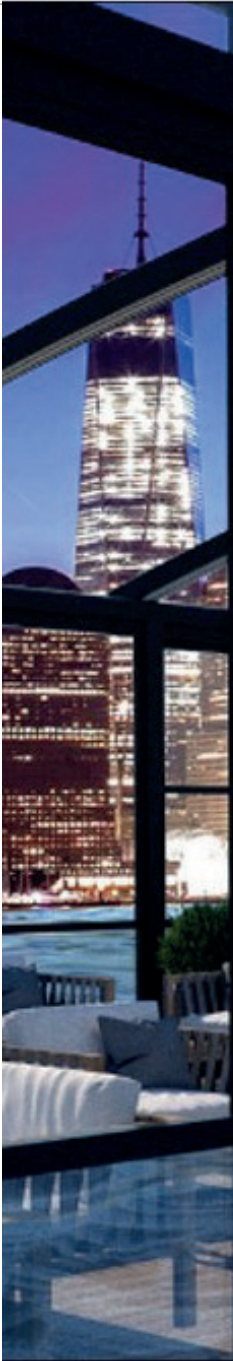


Semi-Open Mode



Open Mode

# Pergola ROOM



**PERGOLA ROOM LLC**

733 3rd ave, Floor 16, #1013, NY, 10017, United States

**Toll Free:** +1 800 215 0 216 **E-mail:** [info@pergolaroom.com](mailto:info@pergolaroom.com)

[www.pergolaroom.com](http://www.pergolaroom.com)