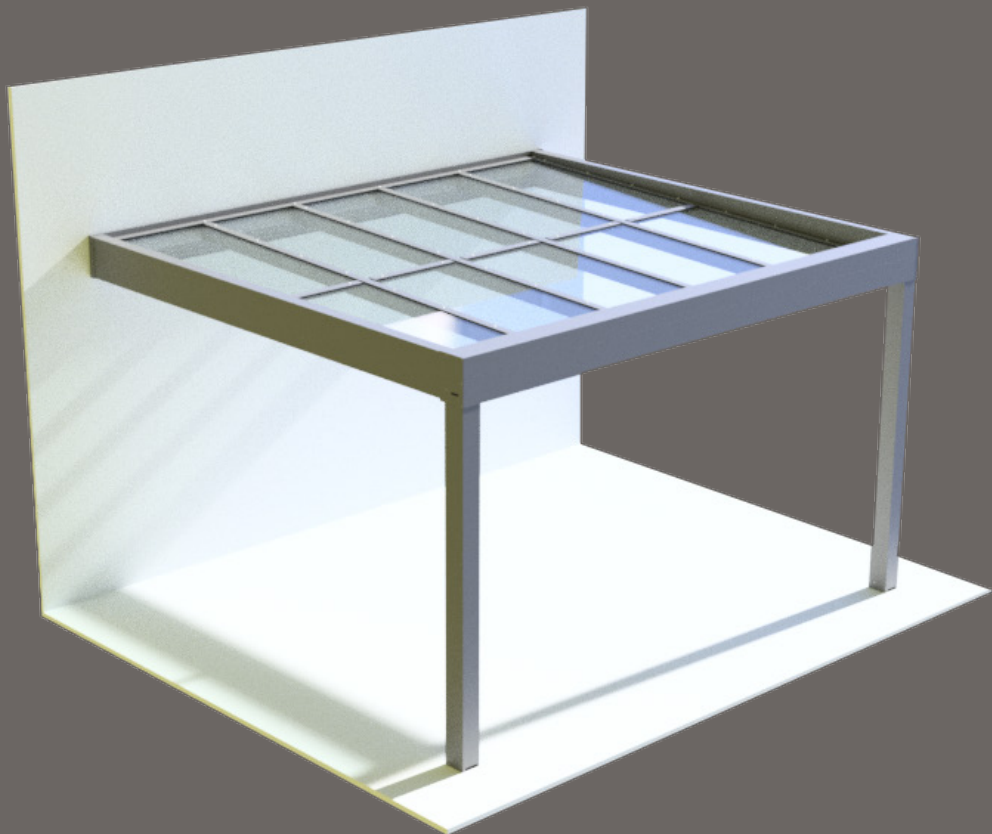


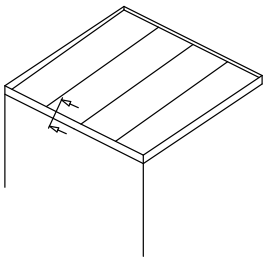
CUBO-EASY ROOF

Technical Drawings

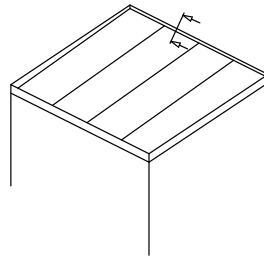


Section index	3	Structural attachment floor connection	19
		CUBO-EASY_D03	
Front beam with 5/32".5/32".2 LSG glass	4	Profile overview	20
CUBO-EASY_V01		CUBO-EASY_P01	
Front beam with 13/64".13/64".2 LSG glass	5	Profile overview - standard covers	21
CUBO-EASY_V02		CUBO-EASY_P02	
Front beam with 15/32" sandwich panel	6		
CUBO-EASY_V03			
Wall connection with 5/32".5/32".2 LSG glass	7		
CUBO-EASY_V04			
Wall connection with 13/64".13/64".2 LSG glass	8		
CUBO-EASY_V05			
Wall connection with 15/32" sandwich panel	9		
CUBO-EASY_V06			
Transom with 5/32".5/32".2 LSG glass	10		
CUBO-EASY_V07			
Transom with 13/64".13/64".2 LSG glass	11		
CUBO-EASY_V08			
Outer and mid. rafter with 5/32".5/32".2 LSG glass	12		
CUBO-EASY_V09			
Outer and mid. rafter with 13/64".13/64".2 LSG glass	13		
CUBO-EASY_V10			
Outer and middle rafter with 15/32" sandwich panel	14		
CUBO-EASY_V11			
Front beam with VG-Easy	15		
CUBO-EASY_V12			
Wall connection with VG-Easy	16		
CUBO-EASY_V13			
Corner post to front beam connection	17		
CUBO-EASY_D01			
Corner post to front beam connection	18		
CUBO-EASY_D02			

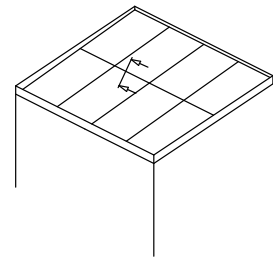
Section index



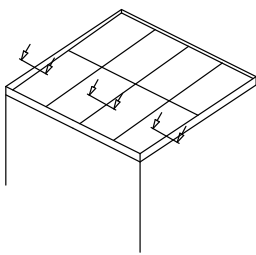
- V01
- V02
- V03



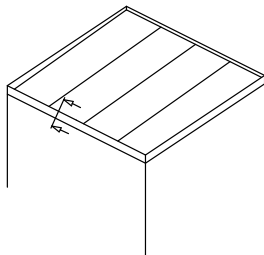
- V04
- V05
- V06



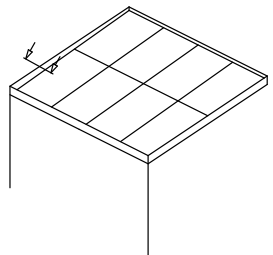
- V07
- V08



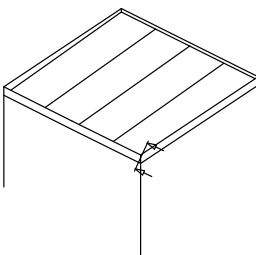
- V09
- V10
- V11



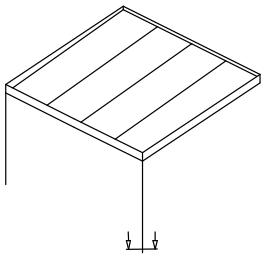
- V12



- V13



- D01
- D02

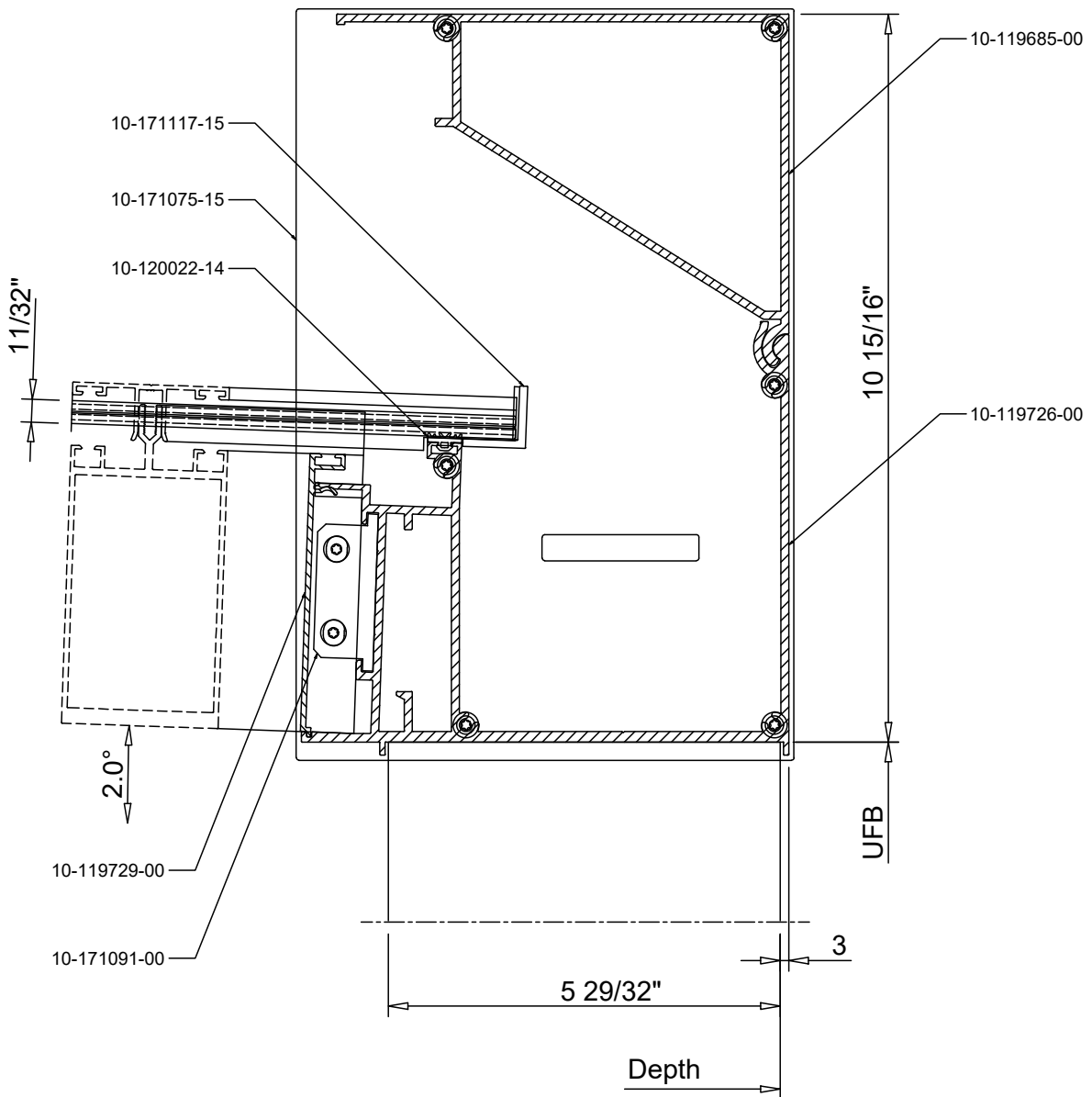
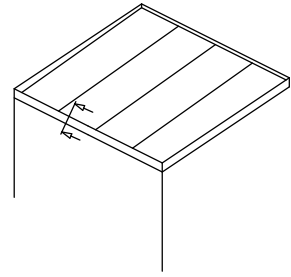


- D03

Front beam with 5/32".5/32".2 LSG glass

CUBO-EASY_V01

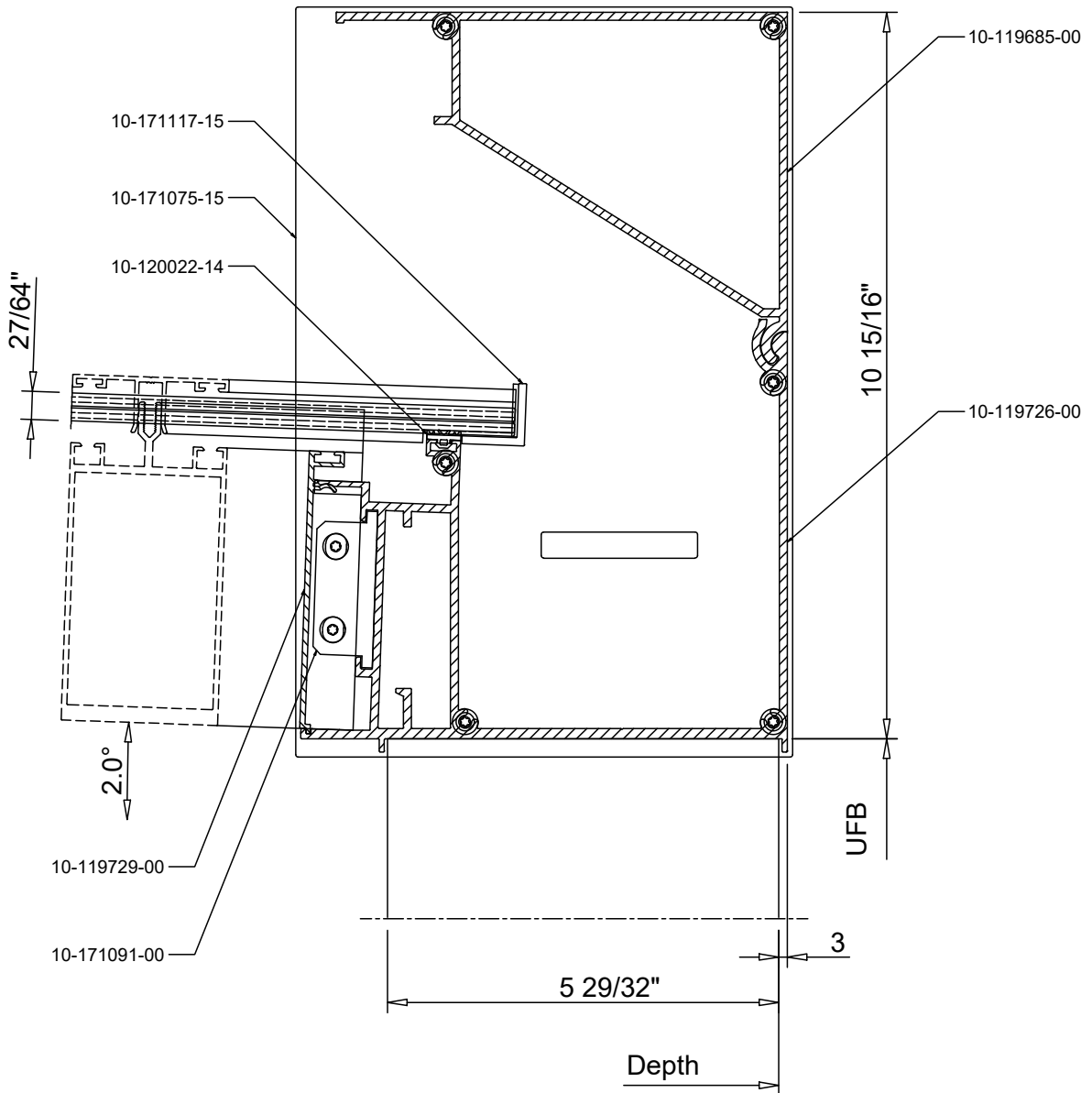
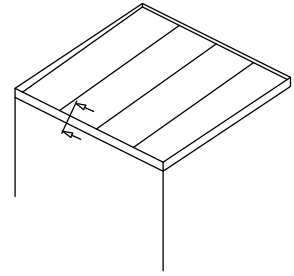
Scale 1:3



Front beam with 13/64".13/64".2 LSG glass

CUBO-EASY_V02

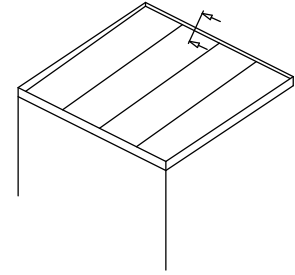
Scale 1:3



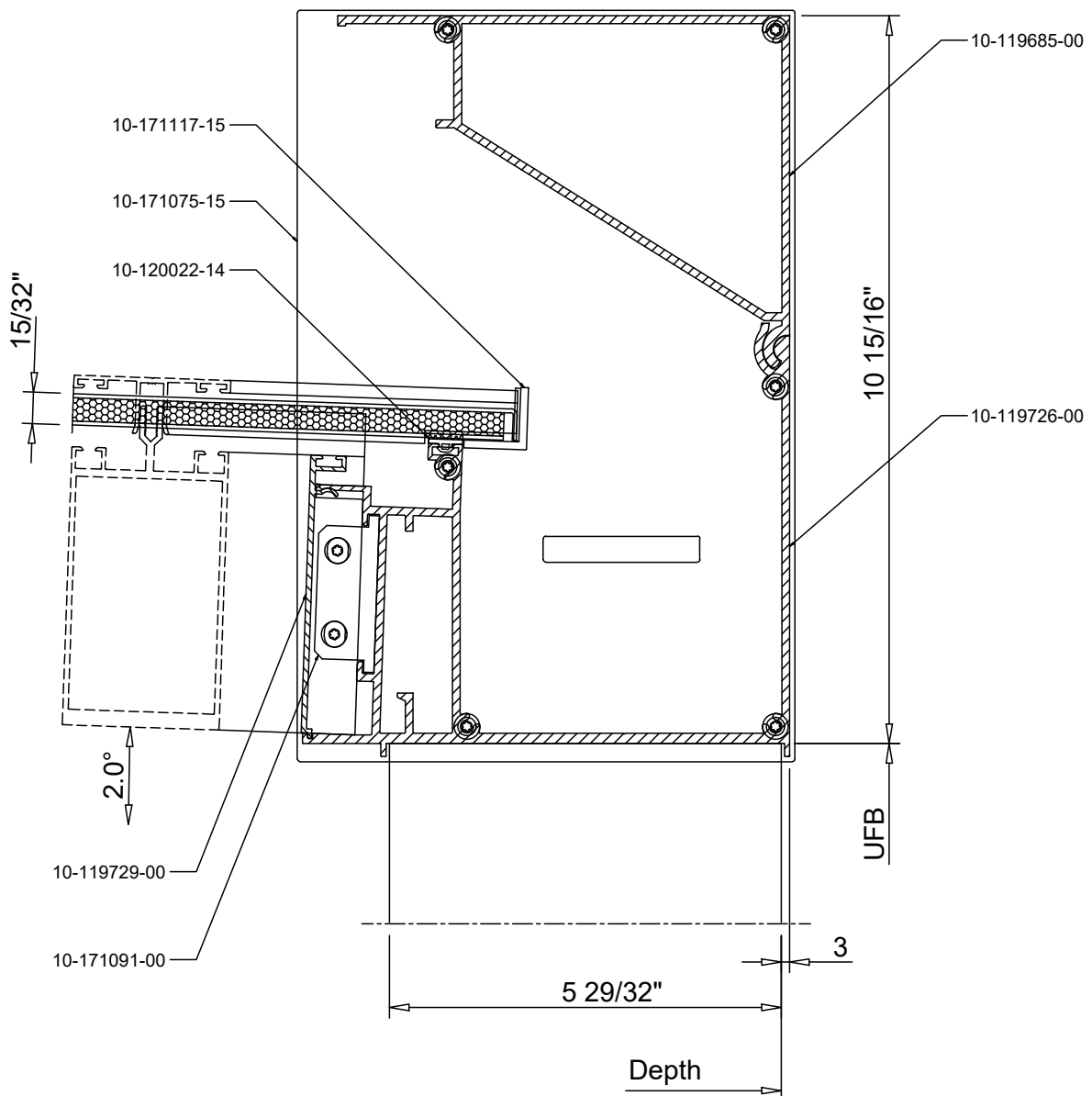
Front beam with 15/32" sandwich panel

CUBO-EASY_V03

Scale 1:3



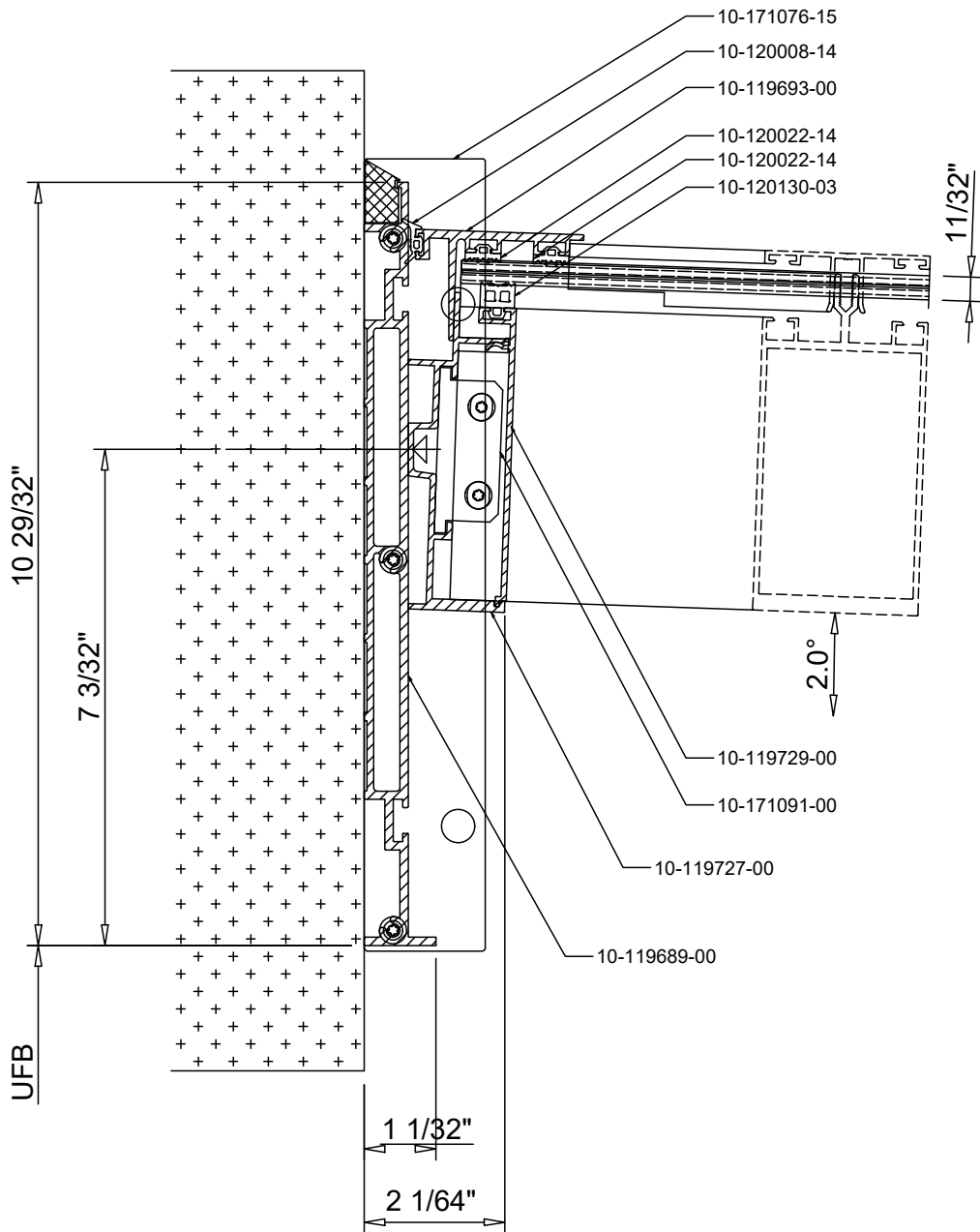
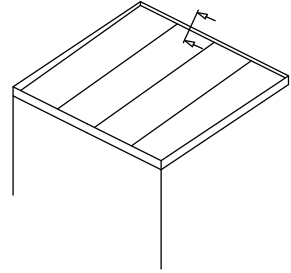
10-171076-15



Wall connection with 5/32".5/32".2 LSG glass

CUBO-EASY_V04

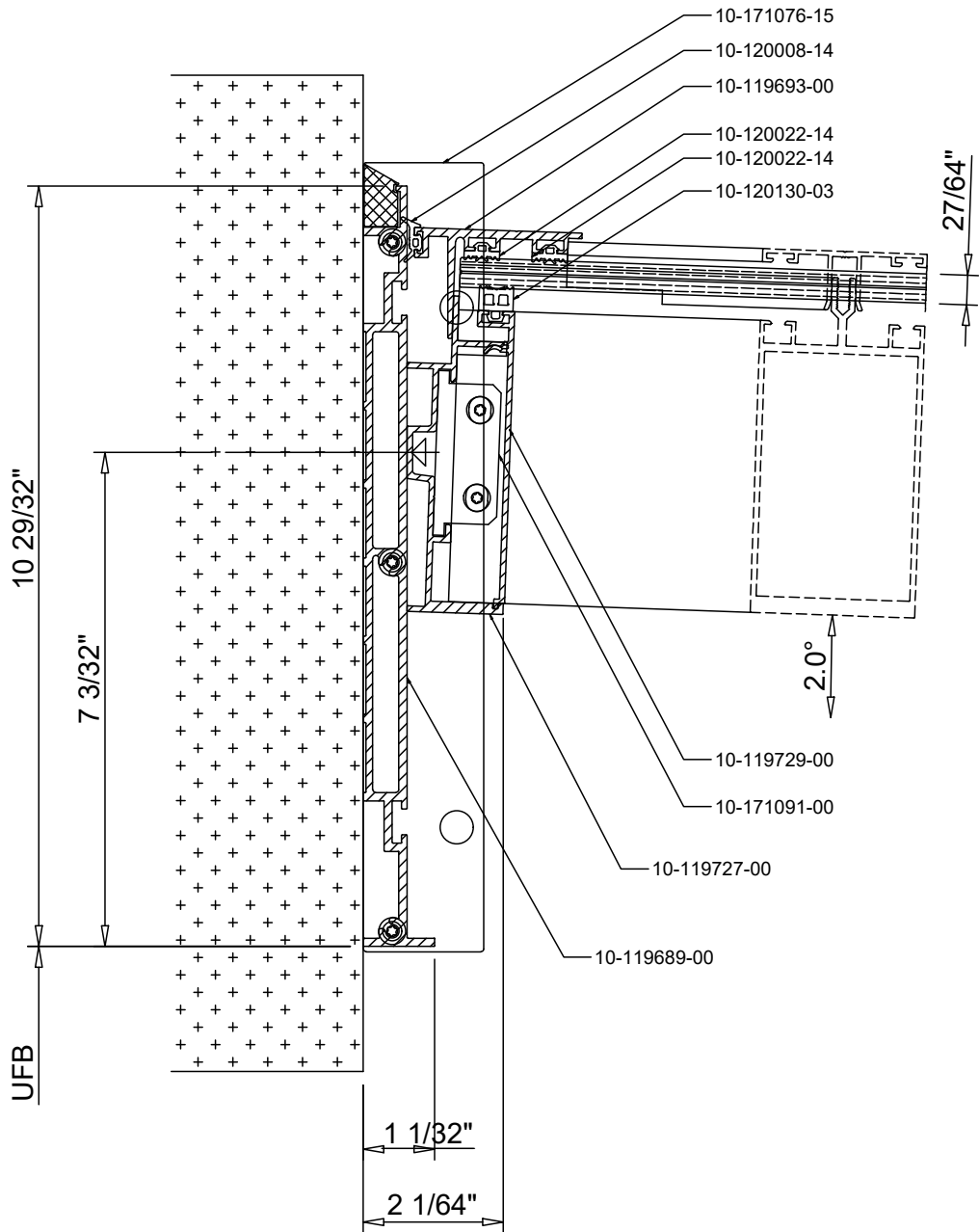
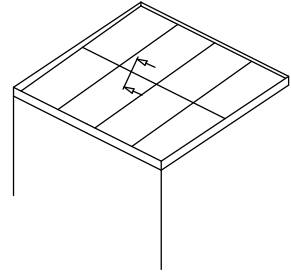
Scale 1:3



Wall connection with 13/64".13/64".2 LSG glass

CUBO-EASY_V05

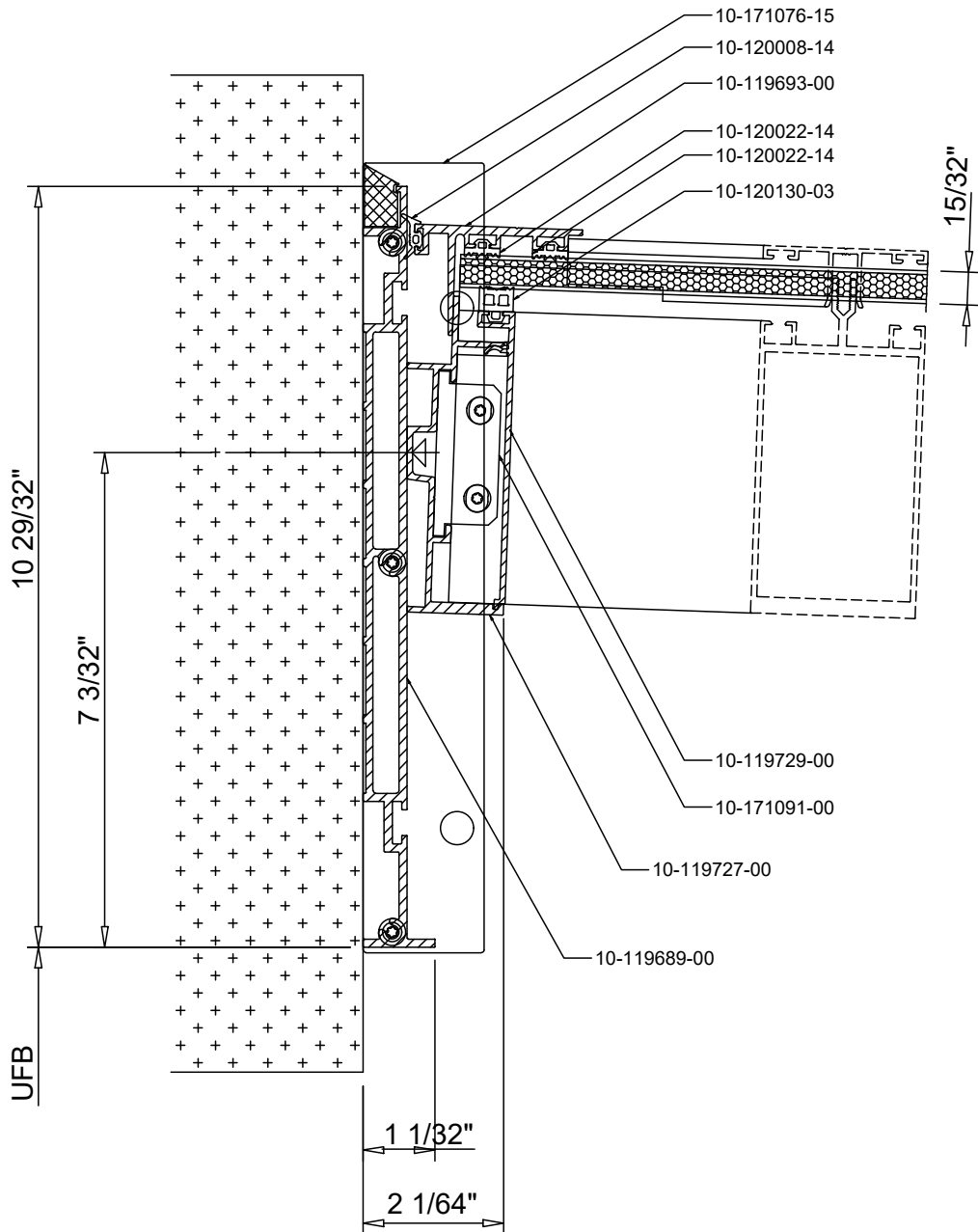
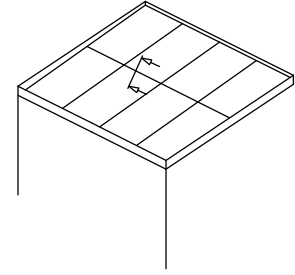
Scale 1:3



Wall connection with 15/32" sandwich panel

CUBO-EASY_V06

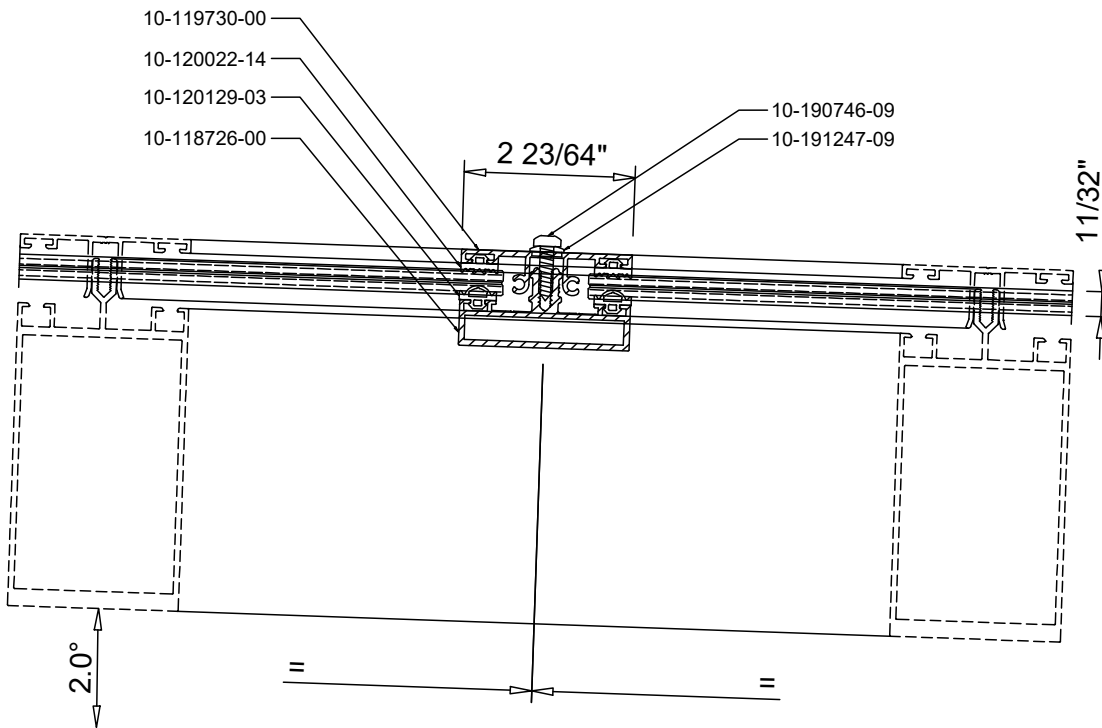
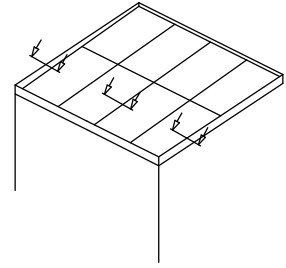
Scale 1:3



Transom with 5/32".5/32".2 LSG glass

CUBO-EASY_V07

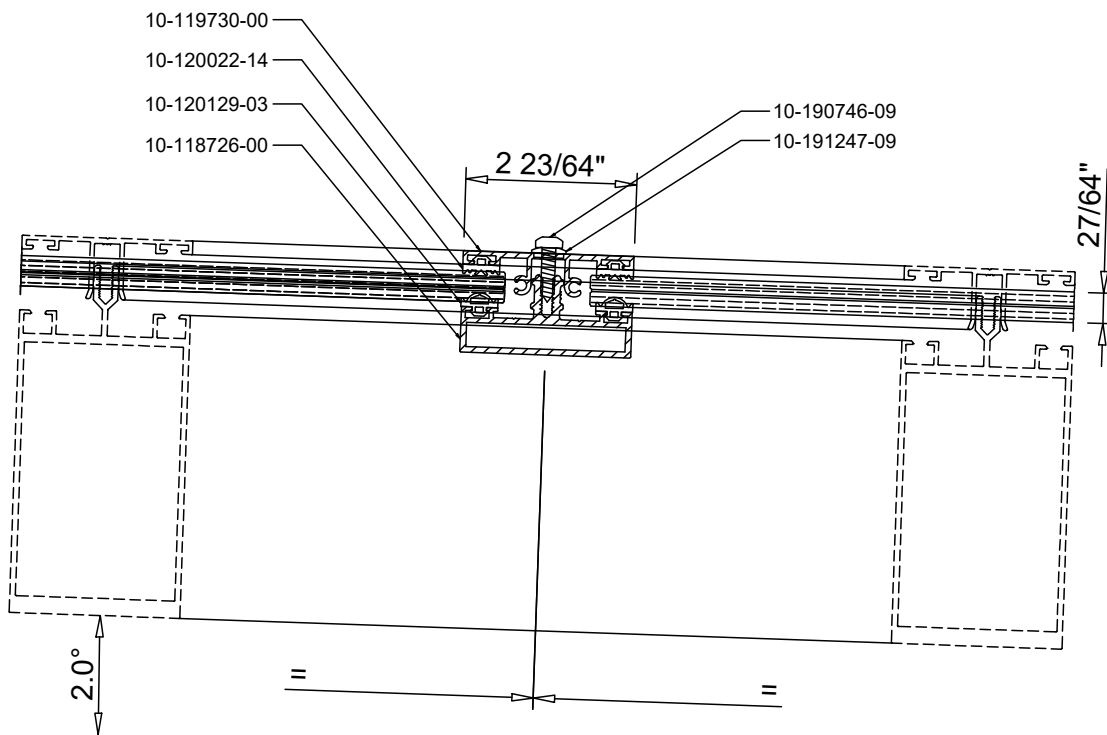
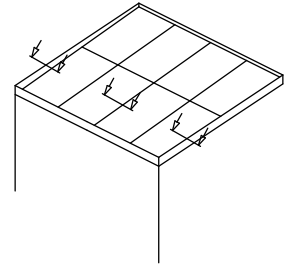
Scale 1:3



Transom with 13/64".13/64".2 LSG glass

CUBO-EASY_V08

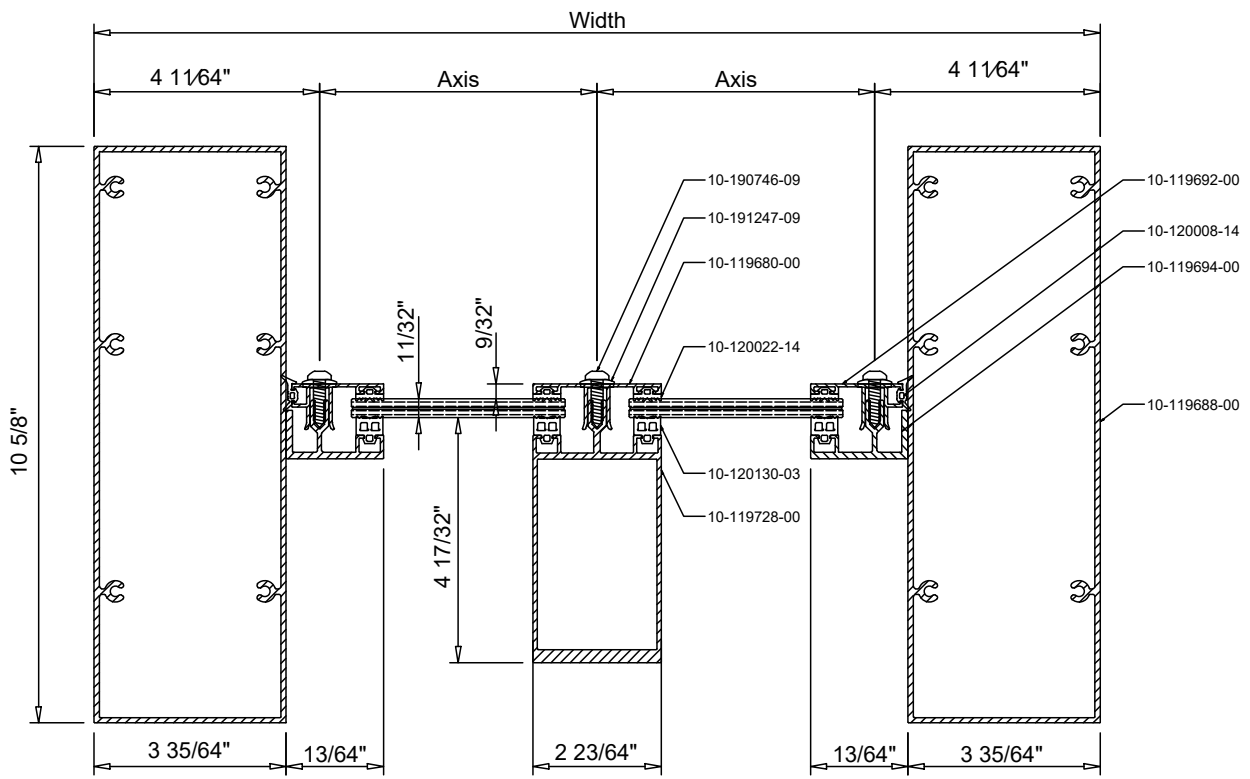
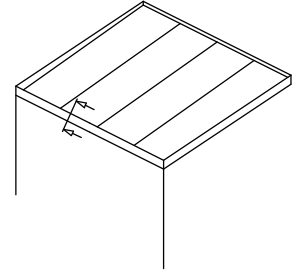
Scale 1:3



Outer and middle rafter with 5/32".5/32".2 LSG glass

CUBO-EASY_V09

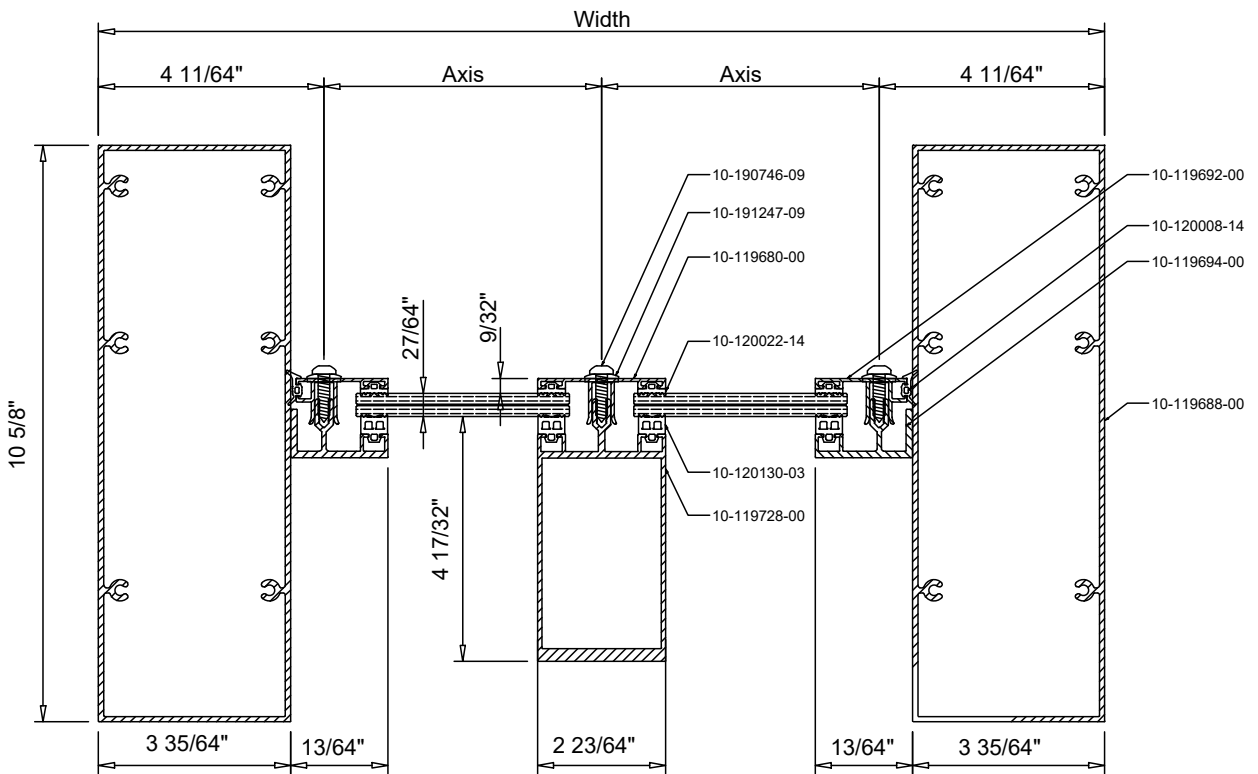
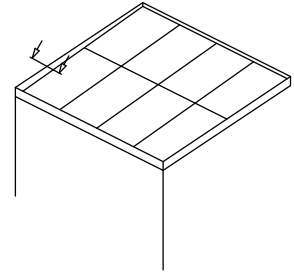
Scale 1:4



Outer and middle rafter with 13/64".13/64".2 LSG glass

CUBO-EASY_V10

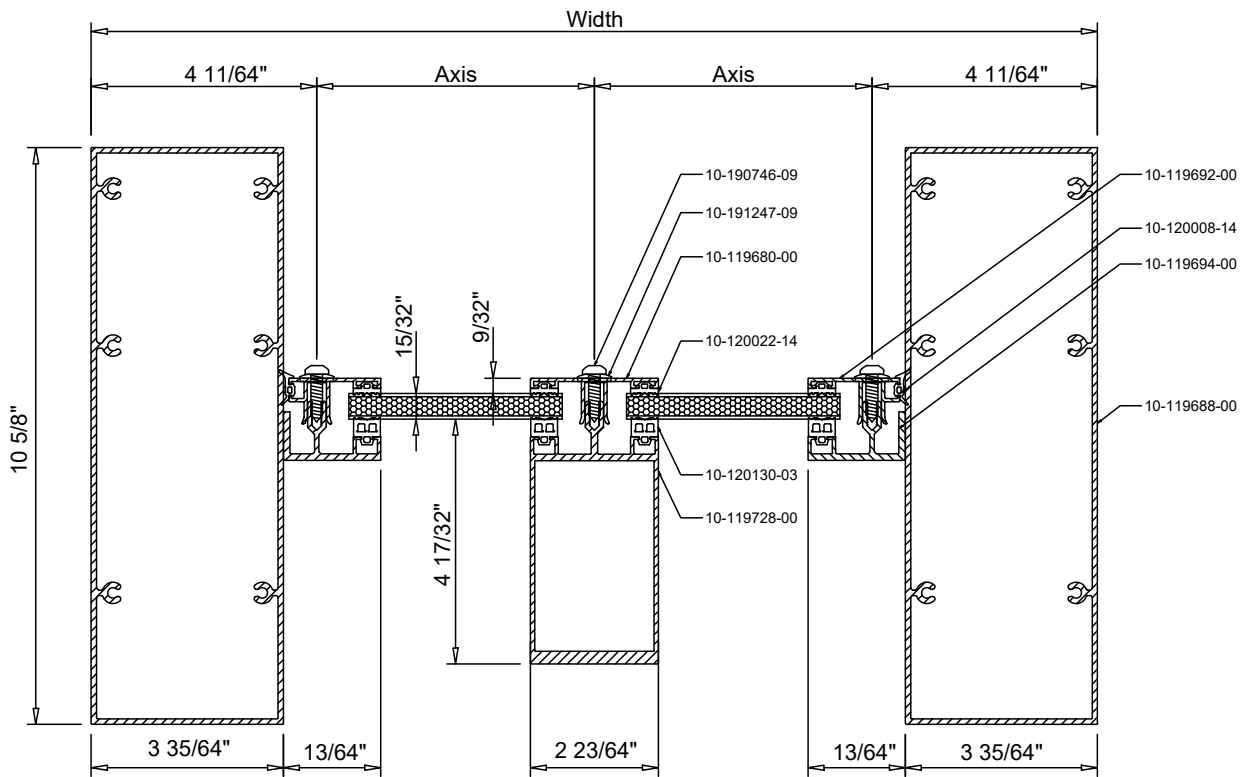
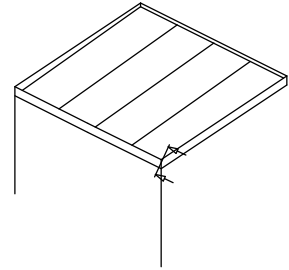
Scale 1:4



Outer and middle rafter with 15/32" sandwich panel

CUBO-EASY_V11

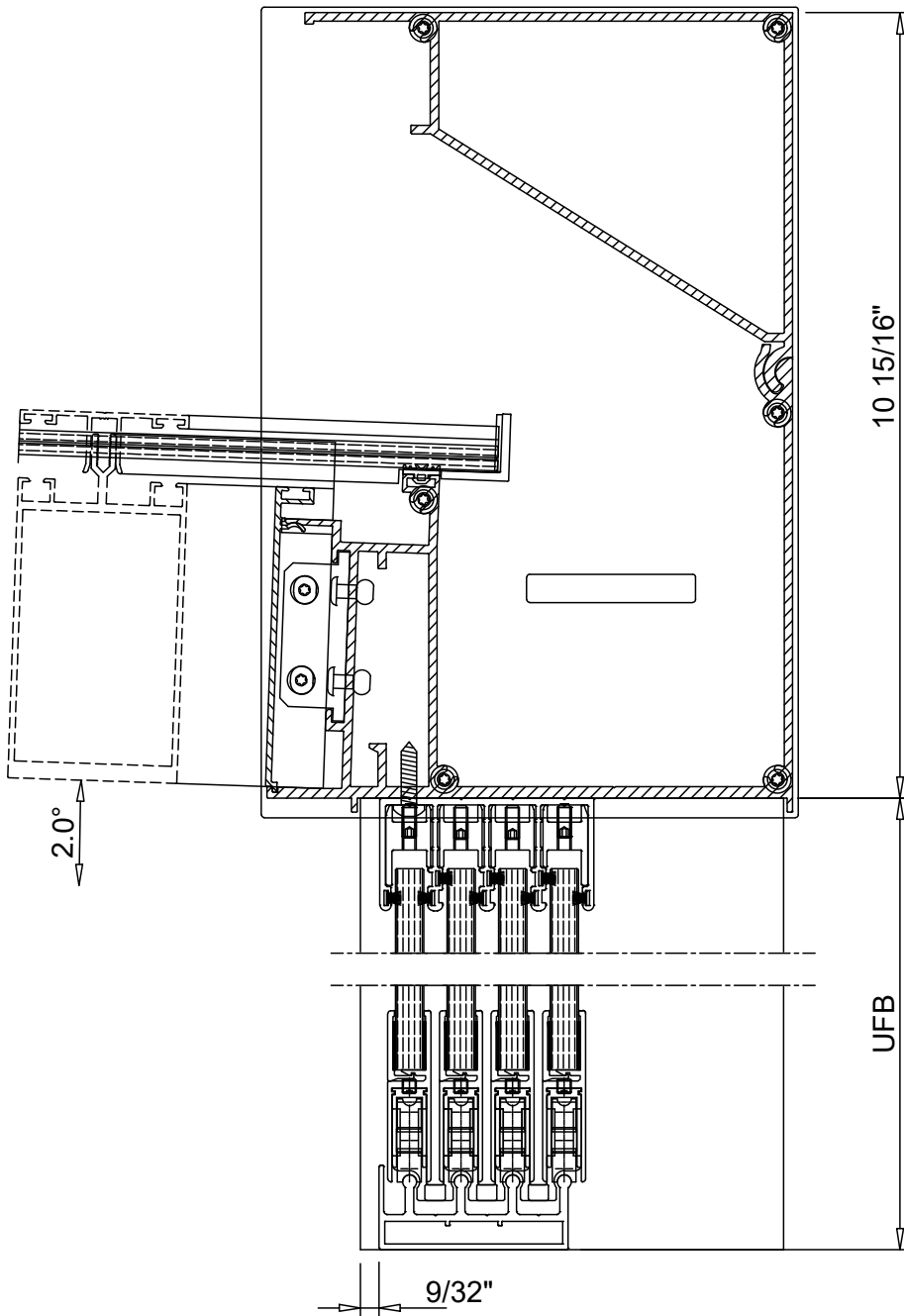
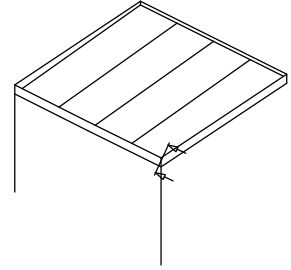
Scale 1:4



Front beam with VG-Easy

CUBO-EASY_V12

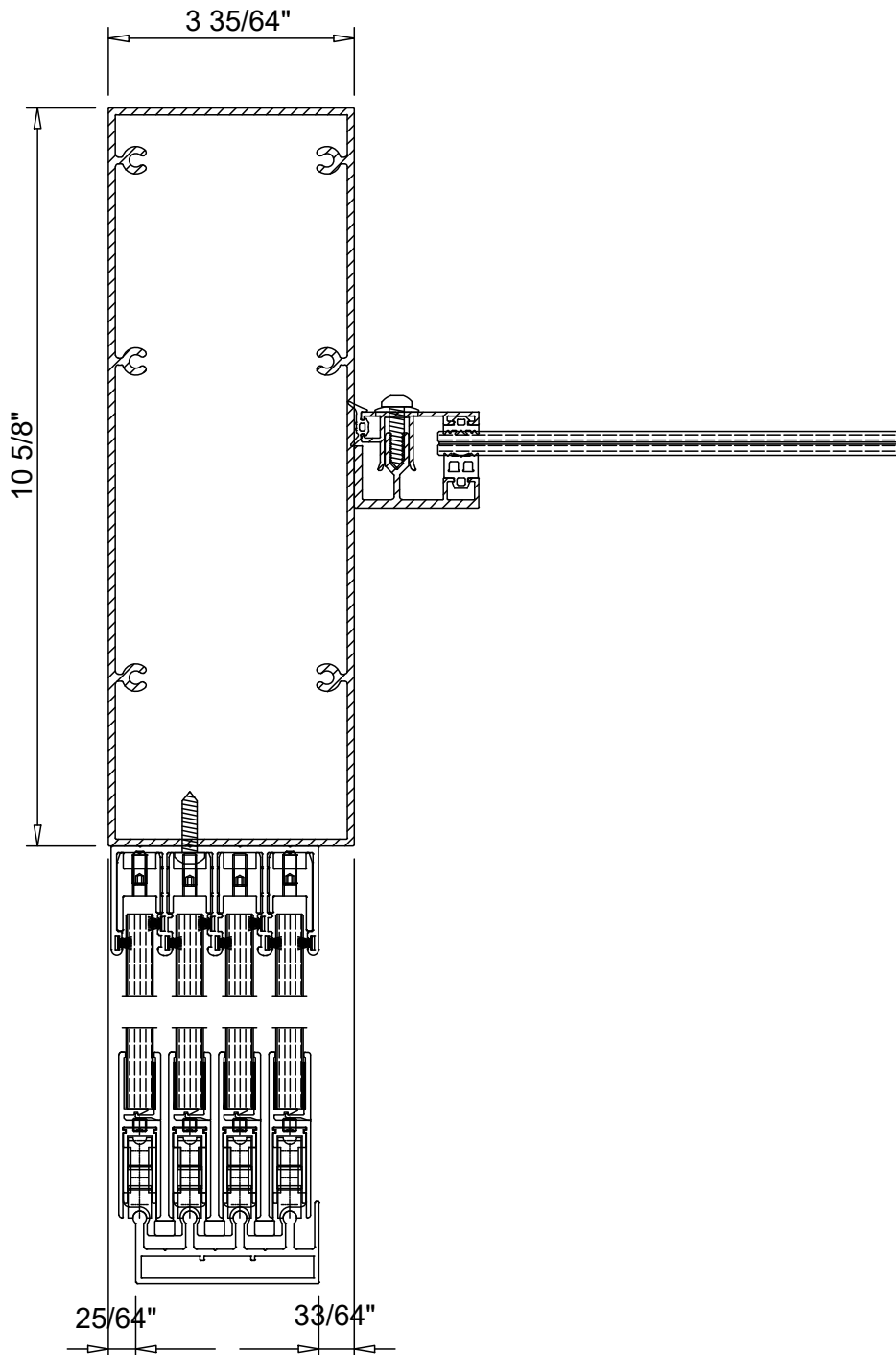
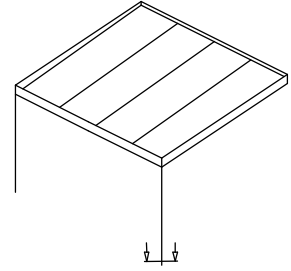
Scale 1:3



Wall connection with VG-Easy

CUBO-EASY_V13

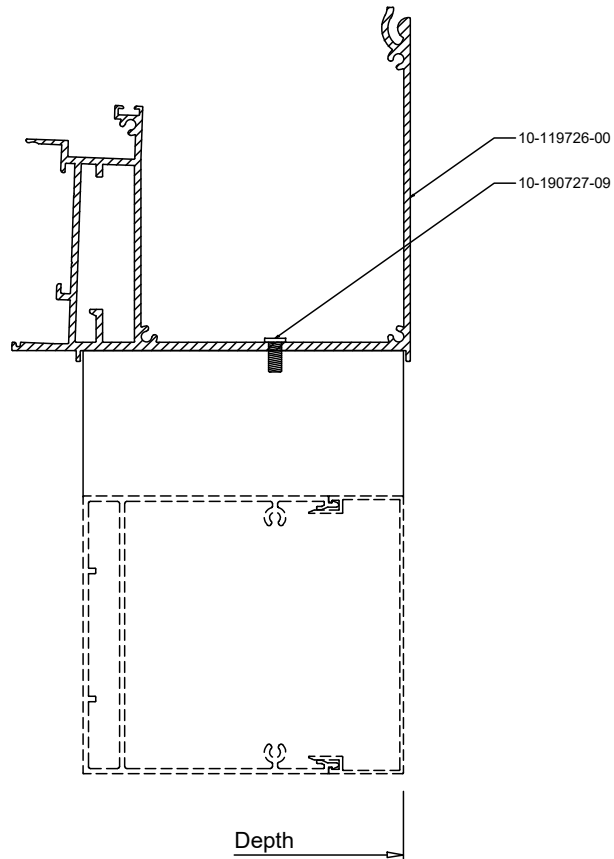
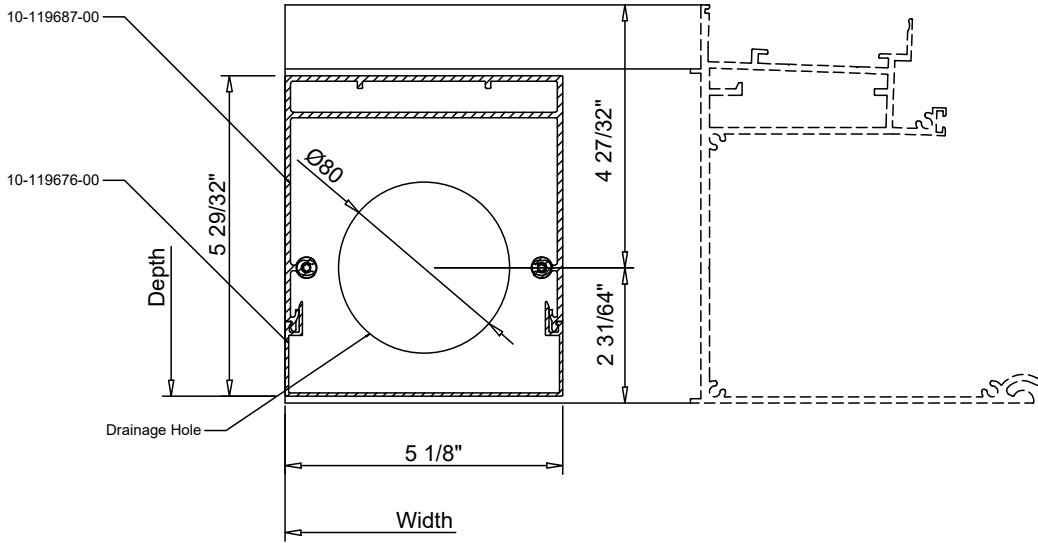
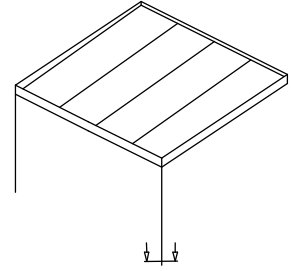
Scale 1:3



Corner post to front beam connection

CUBO-EASY_D01

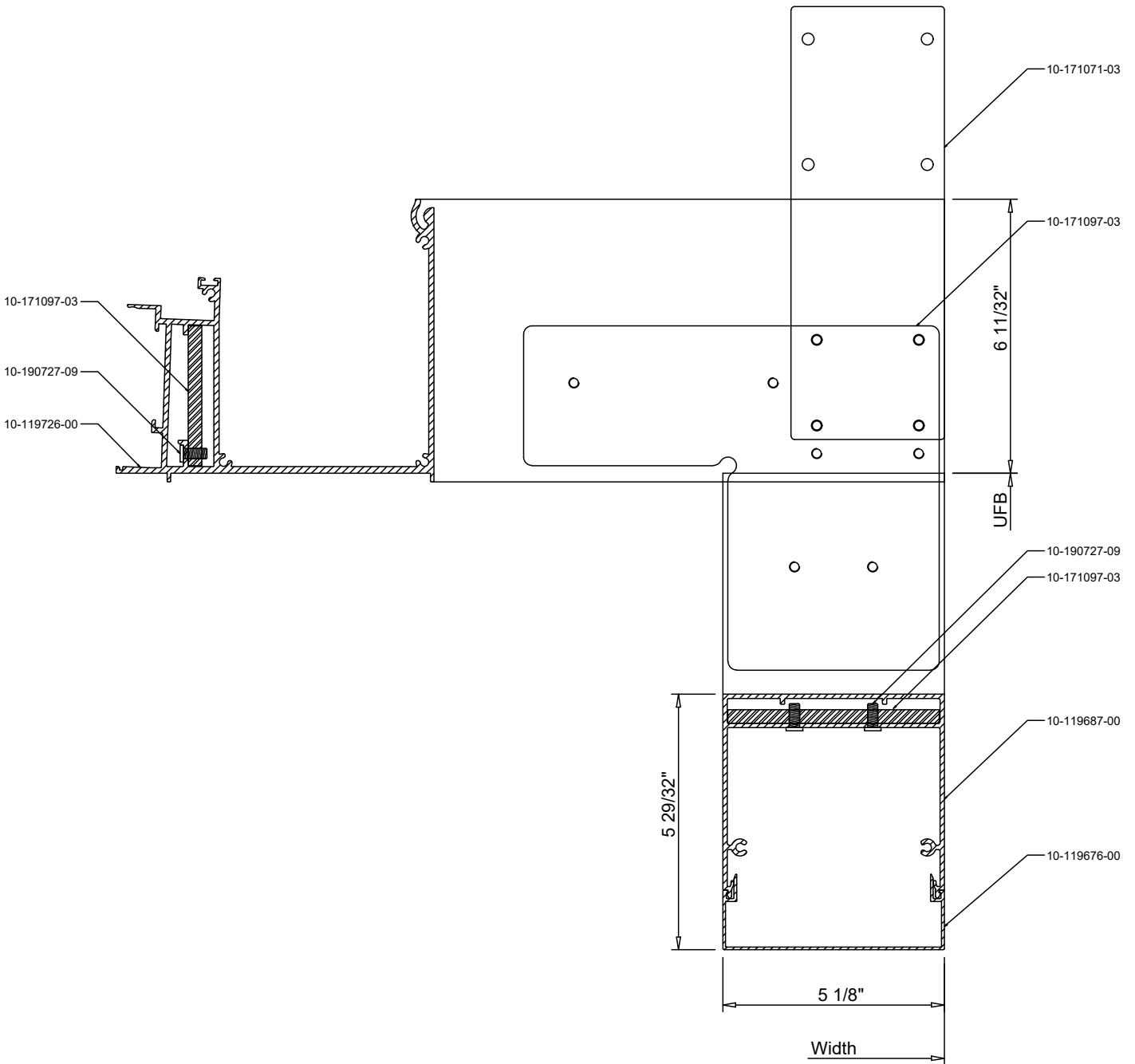
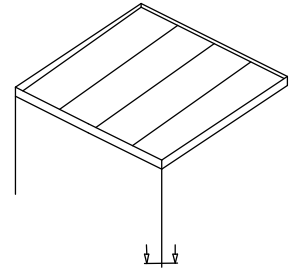
Scale 1:4



Corner post to front beam connection

CUBO-EASY_D02

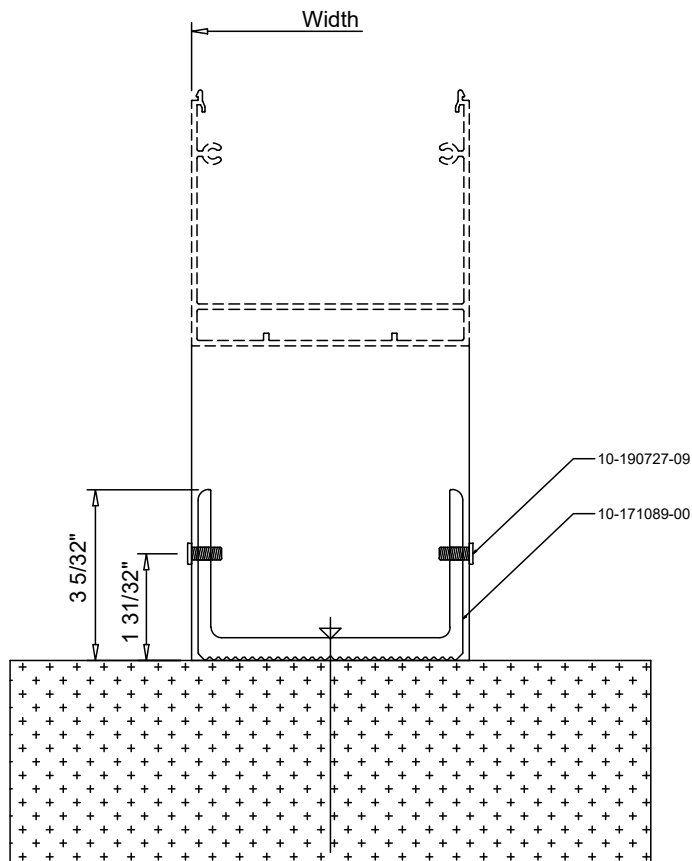
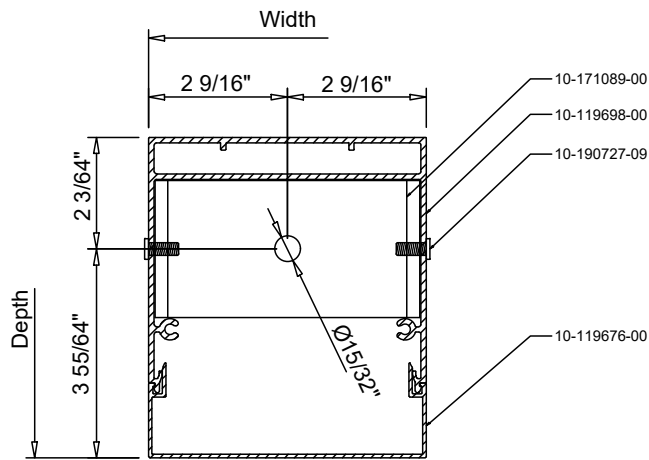
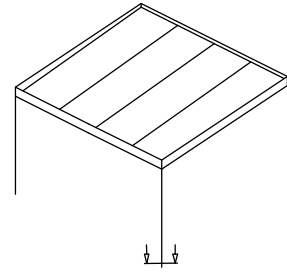
Scale 1:4



Structural attachment floor connection

CUBO-EASY_D03

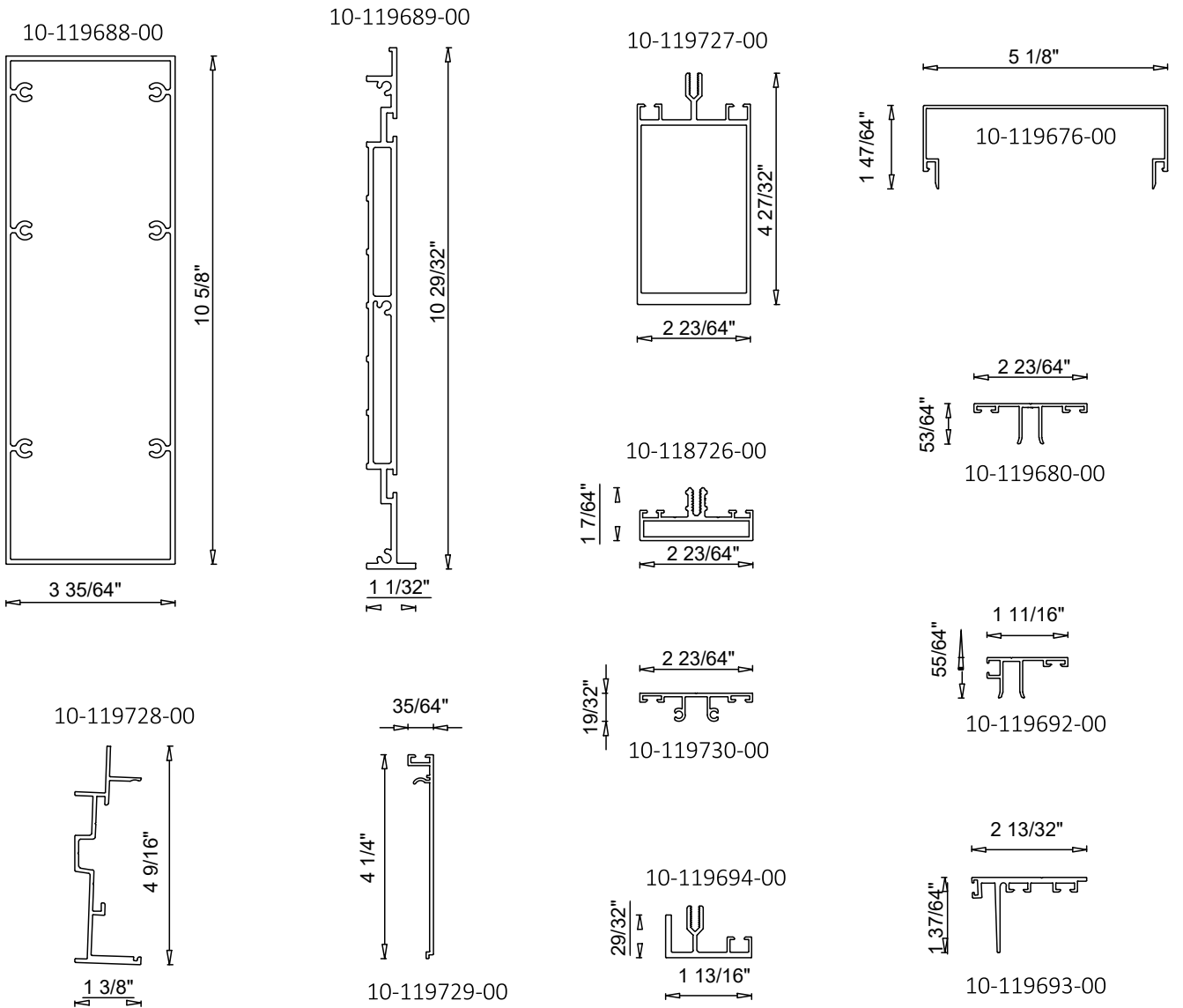
Scale 1:4



Profile overview

CUBO-EASY_P01

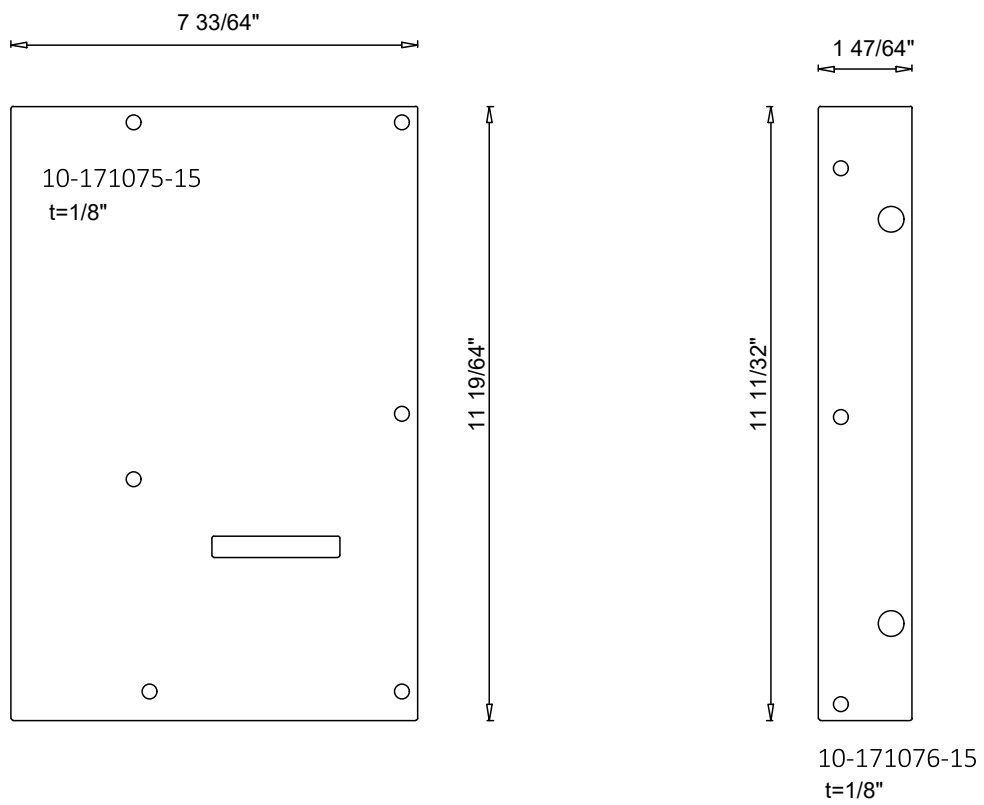
Scale 1:4



Profile overview - standard covers

CUBO-EASY_P02

Scale 1:4



Notes :

Notes :

Your Pergola Room Specialist Partner

Pergola
ROOM

Take advantage of the wide range of Pergola Room products and our proven expert consultations. Further information can be found at:

[pergolaroom.com](https://www.pergolaroom.com) | 800 215 0 216